



**TOURNAMENT HANDBOOK**

# HOW TO ARRIVE TO THE FIELDS?

## Ferries

To arrive to the fields you need to take ferry from **The New Ferry Port** (Nemuno str. 8) to Smiltynė beach (at Curonian Spit).

*Note: You should be aware that there are TWO ferry terminals and you should be heading to The New Ferry terminal.*

## Ferry schedules

Ferries are cruising on schedule, which you can find [HERE](#)

(more info at [www.keltas.lt](http://www.keltas.lt))

**Time in bold** – departure from Klaipėda to Smiltynė

Second time – departure from Smiltynė back to Klaipėda

<b>05:00</b>	05.20	<b>09.40</b>	10.00	<b>13.20</b>	13.40	<b>17.00</b>	17.20	<b>21.40</b>	22.00
<b>05.40</b>	06.00	<b>10.00</b>	10.20	<b>13.40</b>	14.00	<b>17.20</b>	17.40	<b>22.00</b>	22.20
<b>06.20</b>	06.40	<b>10.20</b>	10.40	<b>14.00*d</b>	14.20	<b>17.40</b>	18.00*d	<b>23.00</b>	23.20
<b>07.00</b>	07.20	<b>10.40</b>	11.00	<b>14.20</b>	14.40	<b>18.00</b>	18.20	<b>00.00</b>	00.20
<b>07.20</b>	07.40	<b>11.00</b>	11.20	<b>14.40</b>	15.00*d	<b>18.20</b>	18.40	<b>01.00</b>	01.20
<b>07.40</b>	08.00	<b>11.20</b>	11.40	<b>15.00</b>	15.20	<b>18.40</b>	19.00	<b>02.00</b>	02.20
<b>08.00</b>	08.20	<b>11.40</b>	12.00	<b>15.20</b>	15.40	<b>19.00</b>	19.20	<b>03.00</b>	03.20
<b>08.20</b>	08.40	<b>12.00</b>	12.20	<b>15.40</b>	16.00	<b>19.20</b>	19.40	<b>04.00</b>	04.20
<b>08.40</b>	09.00	<b>12.20</b>	12.40	<b>16.00</b>	16.20	<b>20.00</b>	20.20		
<b>09.00*d</b>	09.20	<b>12.40</b>	13.00	<b>16.20</b>	16.40	<b>20.40</b>	21.00		
<b>09.20</b>	09.40	<b>13.00</b>	13.20	<b>16.40</b>	17.00	<b>21.00</b>	21.20		

\*d – ferry for vehicles carrying dangerous cargo (oil, gas, hay). If such vehicles are absent, other transport is ferried.

You can also **download apps** for your phone and have the schedule in your pocket during the SUN BEAM ;) choose [APP STORE](#) or [GOOGLE PLAY](#)

## Ferry prices:

Car – 12, 30 € / Passenger – 1, 00 €

*Tickets that you will buy are 2 way tickets! Do not throw away yours after crossing to Smiltynė! ☺*

## Distance to fields

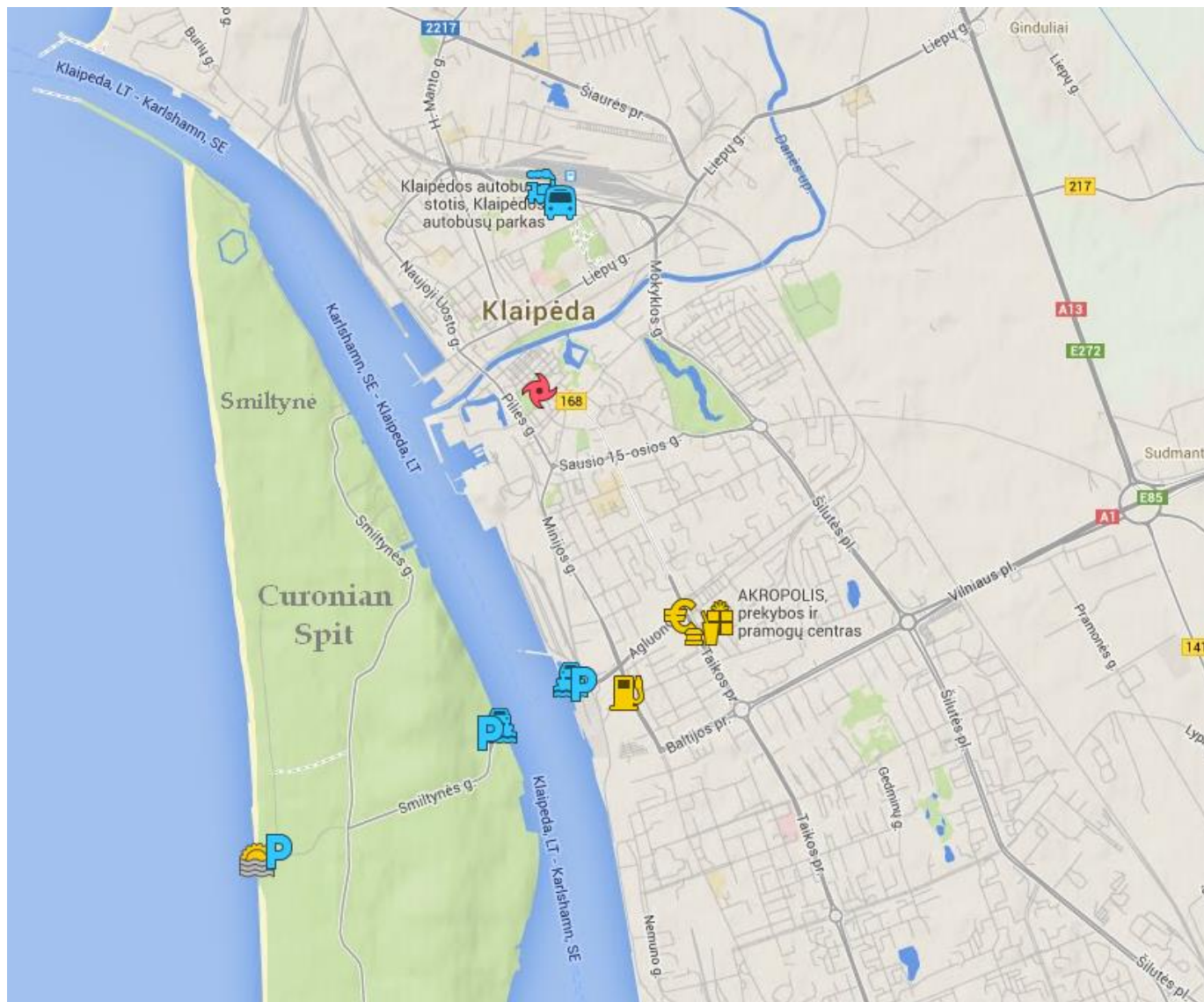
If you choose to go on foot, you should be aware that from the new ferry terminal there is still about 2,5 km (20–25 minutes walking) to the playing fields.

## Taxi

There is also a local taxi that can take you to or from the fields. Catch a cab by the ferry or call +370 652 18631 or +370 685 11180.

# Tournament map

[Here you will find a FULL Google map](#), showing how to arrive to the playing fields and much more.



*If you need regular Klaipėda city map – ask Staff or a volunteer.*

# You might want to know that:

## Curonian Spit environment protection

The environment in all the Curonian spit is protected. We want to remind you that it is forbidden to build tents anywhere on peninsula!, As well as to make fires, climb or descend, run through the dunes or walk not by indicated paths, leave trash or in any other way to endanger the nature in the Curonian spit! You can get a big fine for that.

## Weather

It is often windy on our coast line, so don't forget to grab some warm clothes, even though it is the middle of summer. Just in case you got opportunity to enjoy the "Baltic Summer" ;)

## Food and drinks

There will be a possibility to buy some snacks and drinks next to tournament pitches. There is small bar on the other side of the big dune. Just keep in mind, that the assortment is very limited.

## Water

Each team will receive 10 liters of water during the tournament, but have some of your own as well and stay hydrated guys!

## Lunch

If you have ordered lunch it should be available between **12:00** and **14:00**. Food order will be brought next to the tent (on the other side of the big sand dune).

## Toilets/washrooms

There are stationary public toilets (bad condition) and bio toilets on the other side of the dune, next to bar. The players of the tournament have a priority to use the bio toilets, so if you have a game coming – don't hesitate to jump to the front.

## Staff contacts

TD – Artūras +370 653 77992 / Deimantė +370 637 77699 / Gintarė +370 631 19889.

## Emergency

In case of any emergency, always use 112 to get help.

# Party. Party?

## It's all about the colors!

This year it's all about the colors ☺ Bring your brightest and craziest outfits and be fabulous. The party will be held on the Smiltynė beach on Saturday after the games (between 22:00–02:00), where the local performer *Lukas Feser* will spin some funk music! Don't forget to take enough CASH because there's no possibility to pay by card @ the beach bar where the party will be held.

A friendly reminder: all colors are welcome except the color bombs and alike, because it is a National Park, so be responsible, take care of the nature <3

Address of the party place: Smiltynė street 15C



[And once again, the FULL tournament map can be found here.](#)

# Tournament rules

Tournament is played by the [official 5x5 beach ultimate rules](#), approved by WFDF. You can find a full set of rules in every field, tied to the secretary chair.

## You need to know that

Each team on the playing field can use maximum 5 players, minimum 4. In the mixed (X) division teams must play with at least 2 ladies on the field.

Stall count is 10 seconds.

The brick point is set 10 meters into the playing field counting from the endzone-line.

Callahan rule applies.

First team to score thirteen (13) goals - wins.

Time cap – 45 minutes. When time cap is reached teams finish the point and add 1 to the higher score to set a new point cap (not larger than 13 pts.).

Teams have 1 timeout (90 sec.) per game.

Half time occurs when a team first scores seven (7) goals or after 25 minutes of the game (if after 25 minutes of the game neither team has reached 7 goals, teams finish playing the current point and the half time occurs). Half time lasts zero (0) minutes.

## Gender ratio

Gender ratio **rule B** will be used (At the start of the game, after the first disc flip, an additional disc flip happens with the winner selecting which end zone is “End zone A”, with the other end zone becoming “End zone B”. At the start of each point the Team that is at End zone A must choose the gender ratio. This process applies for the first half. For the second half, at the start of each point the

Team that is at End zone B must choose the gender ratio.)

## Tiebreaker

1. Head to head;
2. Point differential (games between tied teams);
3. Points scored (games between tied teams);
4. Points missed (games between tied teams);
5. Total points scored;
6. Total points missed;
7. Draw.

## Volunteers

In this event we will have volunteers. Many of them do not know and will not be able to explain you the rules or answer questions related to the game etc. – it is your duty to know the rules ☺). So please, don't be disappointed if volunteers will not inform you, they will be in SUN BEAM to keep score and time of your games.

## Being late on the field

Team will be penalized by 1 point for every minute late to the game starting from the 5th minute of the game.

## Most Valuable Player (MVP)

MVP will be chosen by the home team from the final golden match.

# For captains attention

If game overlap 55 min. limit next game will start immediately after finishing overlapped game.

Teams that finish their games late should leave the field as quick as possible after their game.

Do not forget to evaluate SOTG with your team after every game in the SOTG sheets that you will find in your team's pack.

## **TEAM CAPTAINS,**

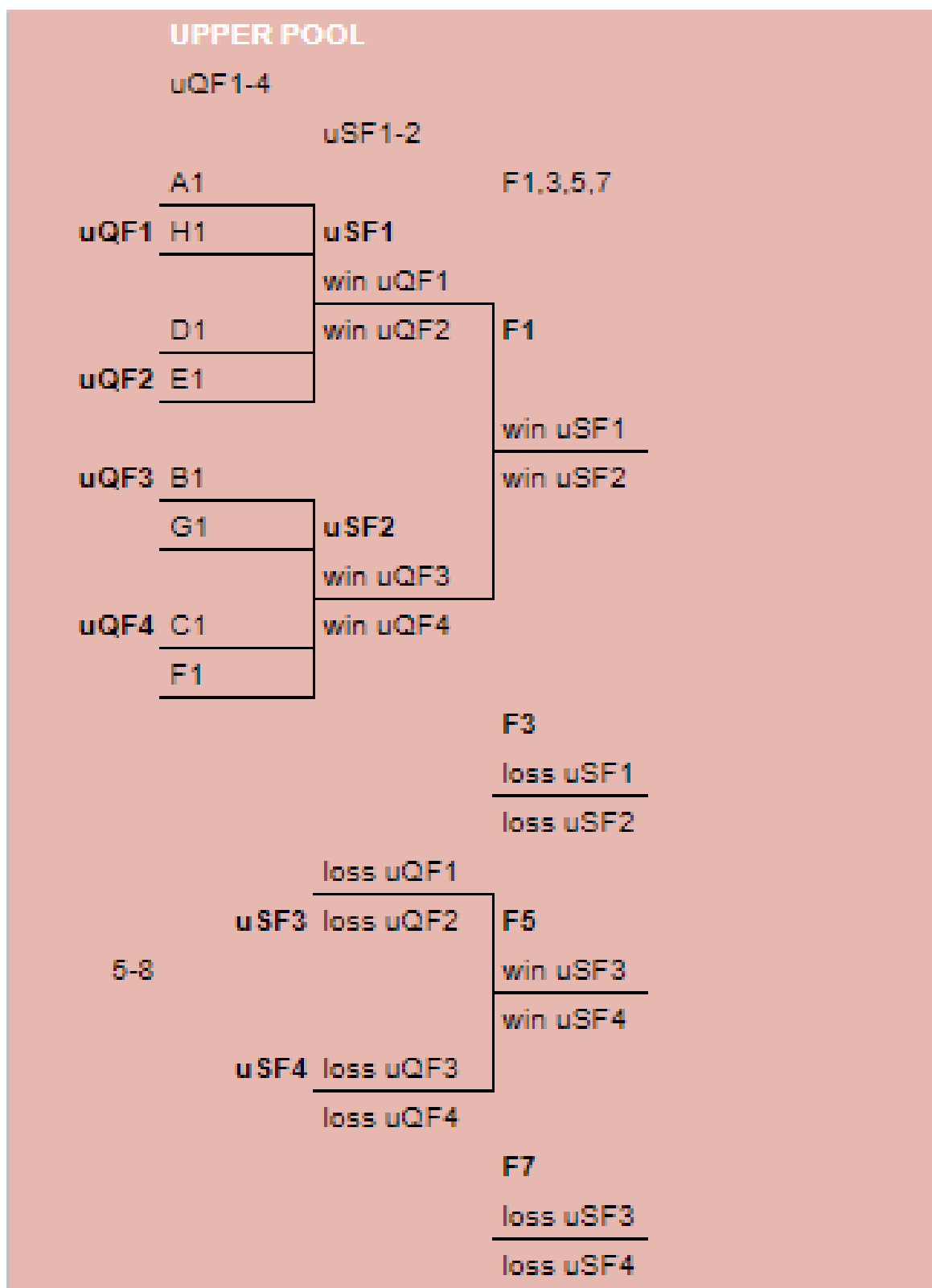
It is your responsibility to make sure that everyone in your team knows the rules!



# Tournament seeding, pools

<b>Pool A</b>	<b>Pool B</b>	<b>Pool C</b>	<b>Pool D</b>	<b>Pool E</b>	<b>Pool F</b>	<b>Pool G</b>	<b>Pool H</b>
Salaspils FK	Ultimate Saku	Vorai	Sirocco	Ventspils FK	Phoenix	Sport i	Mariņ Meškos
Blan P	KossMix	Fulham Flyers	Yellow fever	Plan B	Ultimate Farmers	Frequent Flyers	Fun-deMint-als
Jellyfish Mane(a)ter	Salaspils JR	RJPwarszawa	EurUp	Tartu Flyers	Sun city colibri	Pyragai	
1	2	3	4	5	6	7	8
16	15	14	13	12	11	10	9
17	18	19	20	21	22	23	

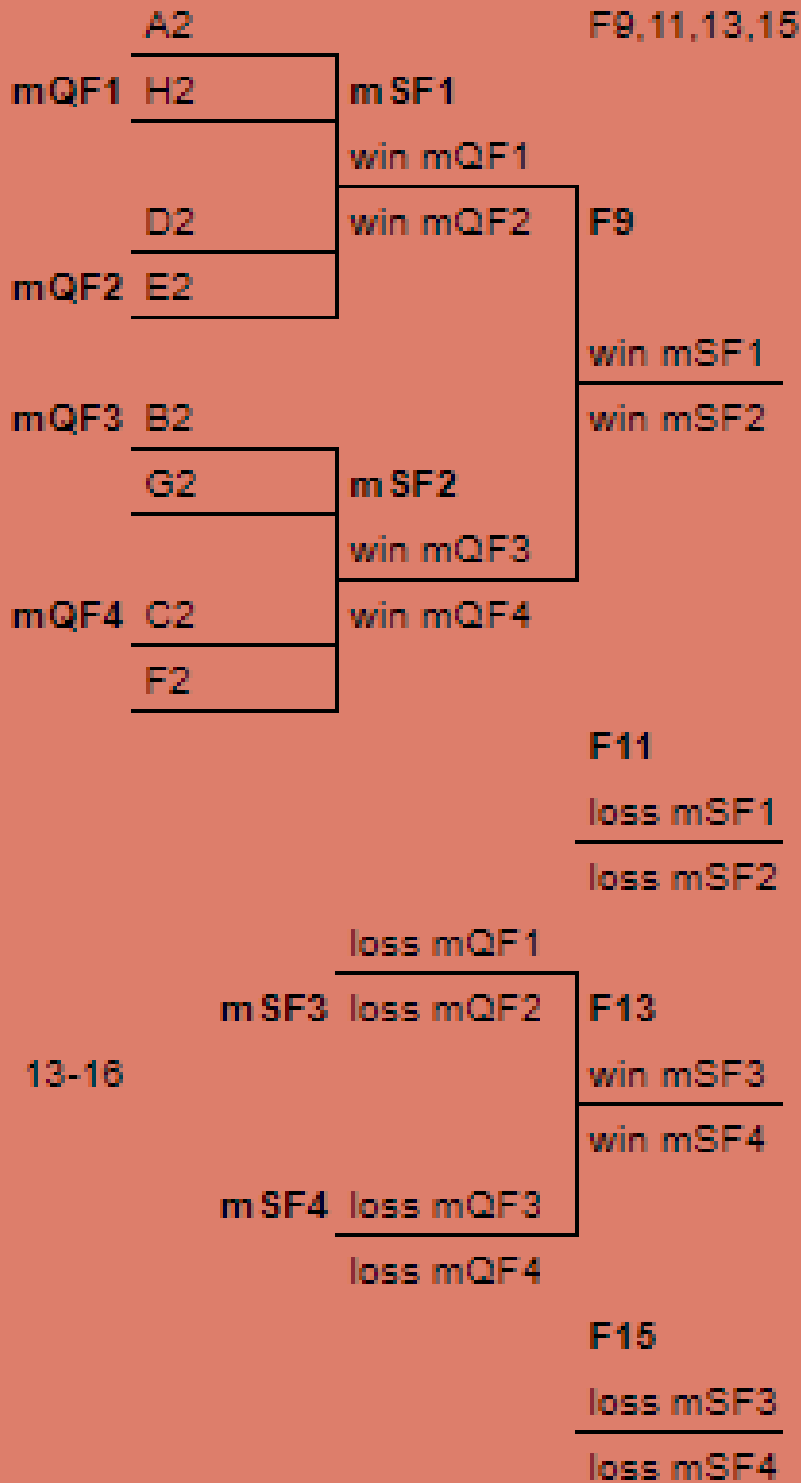
# Tournament system



# MIDD POOL

mQF1-4

mSF1-2



# LOWER POOL

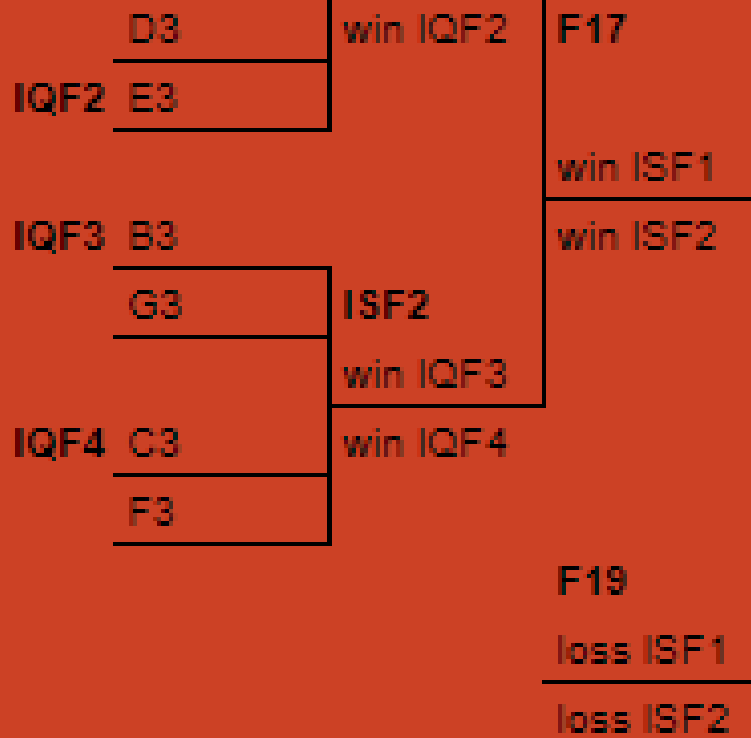
IQF 1-4

ISF 1-2

F17, 19, 21, 23

ISF 1

A3



F21-23

F21-23: loss IQF3:loss IQF4

F21-23: loss IQF4:loss IQF2

F21-23: loss IQF2:loss IQF3

# Tournament schedule (1<sup>st</sup> day)

Field 1			Field 2				
900	A:	Blan P	Jellyfish Mane(a)ter	B:	KossMix	Salaspils JR	900
1000	E:	Plan B	Tartu Flyers	F:	Ultimate Farmers	Sun city colibri	1000
1100	A:	Salaspils FK	Jellyfish Mane(a)ter	B:	Ultimate Saku	Salaspils JR	1100
1200	E:	Ventspils FK	Tartu Flyers	F:	Phoenix	Sun city colibri	1200
1300	A:	Salaspils FK	Blan P	B:	Ultimate Saku	KossMix	1300
1400	E:	Ventspils FK	Plan B	F:	Phoenix	Ultimate Farmers	1400
1500	<b>S I E S T A</b>						1500
1600	uQF1:	A1	H1	uQF2:	D1	E1	1600
1700	mQF1:	A2	H2	mQF2:	D2	E2	1700
1800				IQF2:	D3	E3	1800
1845							1845

Field 3			Field 4				
900	C:	Fulham Flyers	RJPwarszawa	D:	Yellow fever	EurUp	900
1000	G:	Frequent Flyers	Pyragai				
1100	C:	Vorai	RJPwarszawa	D:	Sirocco	EurUp	1100
1200	G:	Sport i	Pyragai	H:	Marij Meškos	Fun-deMint-als	1200
1300	C:	Vorai	Fulham Flyers	D:	Sirocco	Yellow fever	1300
1400	G:	Sport i	Frequent Flyers				
1500	<b>S I E S T A</b>						1500
1600	uQF3:	B1	G1	uQF4:	C1	F1	1600
1700	mQF3:	B2	G2	mQF4:	C2	F2	1700
1800	IQF3:	B3	G3	IQF4:	C3	F3	1800
1845							1845

# Tournament schedule (2<sup>nd</sup> day)

		Field 1		Field 2			
1000	ISF1:	A3	win IQF2	ISF2:	win IQF3	win IQF4	1000
1100	mSF1:	win mQF1	win mQF2	mSF2:	win mQF3	win mQF4	1100
1200	uSF1:	win uQF1	win uQF2	uSF2:	win uQF3	win uQF4	1200
1300	F17:	win ISF1	win ISF2	F19:	loss ISF1	win ISF2	1300
1400	F9:	win mSF1	win mSF2	F11:	loss mSF1	loss mSF2	1400
1500	F7:	loss uSF3	loss uSF4	F3:	loss uSF1	loss uSF2	1500
1600				F1:	win uSF1	win uSF2	1600
1730		<b>AWARDS</b>					1730

		Field 3		Field 4			
1000	F21-23:	loss IQF3	loss IQF4				1000
1100	mSF3:	loss mQF1	loss mQF2	mSF4:	loss mQF3	loss mQF4	1100
1200	uSF3:	loss uQF1	loss uQF2	uSF4:	loss uQF3	loss uQF4	1200
1300	F21-23:	loss IQF4	loss IQF2				1300
1400	F13:	win mSF3	win mSF4	F15:	loss mSF3	loss mSF4	1400
1500	F5:	win uSF3	win uSF4	F21-23:	loss IQF2	loss IQF3	1500
1600							1600
1730		<b>AWARDS</b>					1730

One big and special Thanks to amazing people who did it & our sponsors!



You're the best! :\*



Klaipėdos turizmo ir kultūros informacijos centras  
Klaipėda tourism and culture information center

